

**CABINETS PROSTORE 400-600 L
FRIGORIFERI PROSTORE 400-600L**

DUAL TEMPERATURE

Code	Model	Ref	Page	Description	Eng.Ch.
190AUA	PS04RF2FR	e	2 to 6	2½DR DUAL REFR. 470L 0/-22°,PROSTORE-REM	00-00
190D51	PS04RF2FR	m	2 to 6	2½-DOOR DUAL REFRIGERATOR 470L 0/-22°,PROSTORE-REM	00-00
190EL3	PS04RR1FR	j	2 to 6	2½-DOOR DUAL REFRIGERATOR 470L 0/0°C,PRO	00-00
190ESW	PS04RF2FR	k	2 to 6	2½-DOOR DUAL REFRIGERATOR 470L 0/-22°,P REM	00-00
691325	PS04RR1FR	d	2 to 6	2½DR DUAL REFRIG 470L 0/0°C,PROSTORE-REM	03-03
691327	PS04RF2FR	c	2 to 6	2½DR DUAL REFR. 470L 0/-22°,PROSTORE-REM	04-04
691328	PS04RF1FHC	b	2 to 6	2½DR DUAL REFR. 470L 0/0°C,PROSTORE-R290	03-03
691329	PS04RF1FHC	a	2 to 6	2½DR DUAL REFR 470L 0/-22°,PROSTORE-R290	04-04
691359	PS04RF1FHC	f	2 to 6	2½-DOOR DUAL REFRIGERATOR 470L 0/-22°,PROSTORE-R290	00-00
691373	PS04RR1FR	h	2 to 6	2½-DOOR DUAL REFRIGERATOR 470L 0/0°C,PROSTORE-REM	00-00
691374	PS04RF2FR	g	2 to 6	2½-DOOR DUAL REFRIGERATOR 470L 0/-22°,PROSTORE-REM	00-00

Index

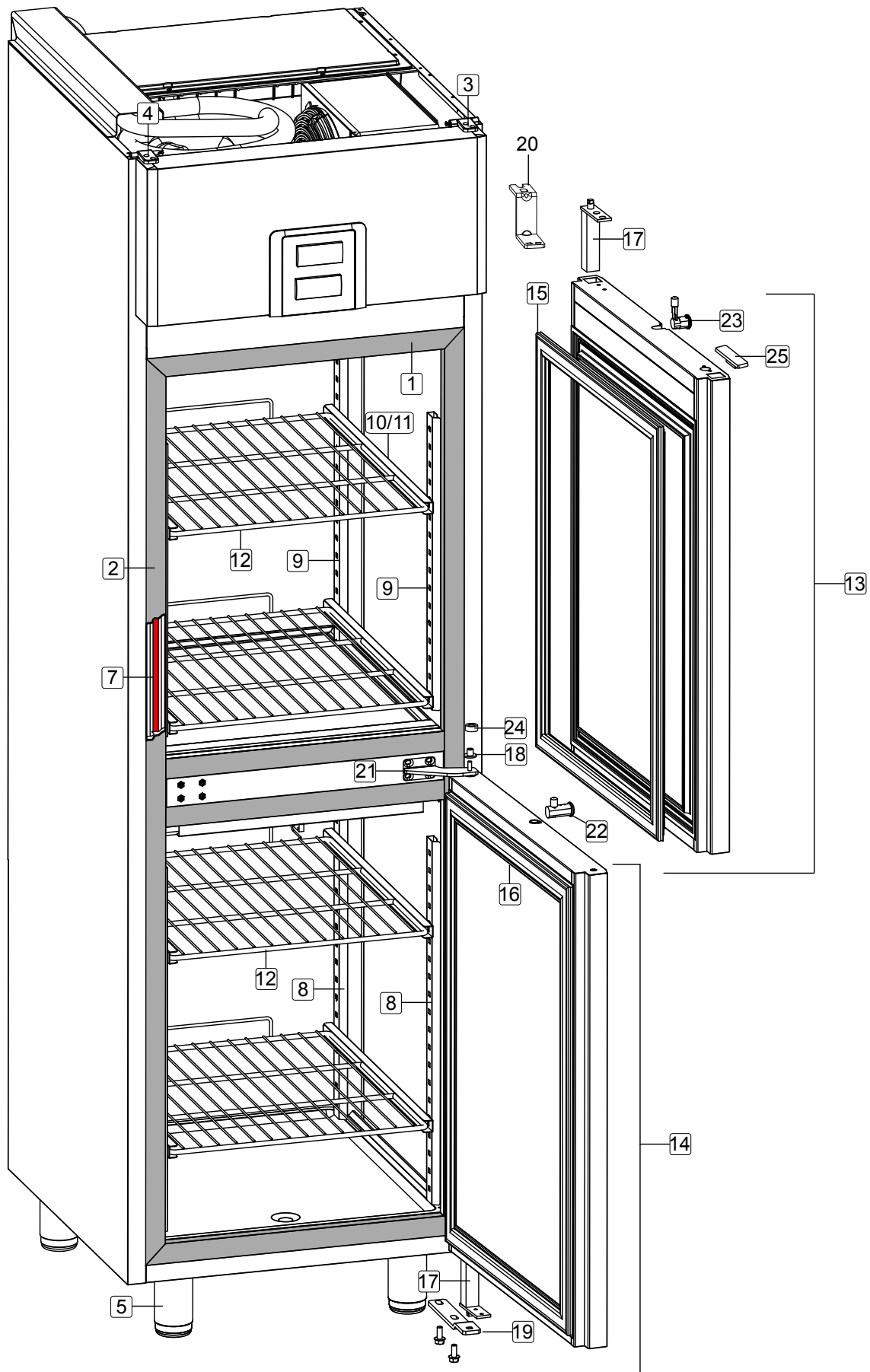
Cabinet and door/Mobile e porta	2
Cooling unit assembly "upper"/Gruppo refrigerante "superiore"	3
Cooling unit assembly "lower"/Gruppo refrigerante "inferiore"	4
Cooling unit assembly "Remote"/Gruppo refrigerante "remoto"	5
Control panel/Pannello comandi	6
Spare parts list/Lista ricambi	7-9

Page

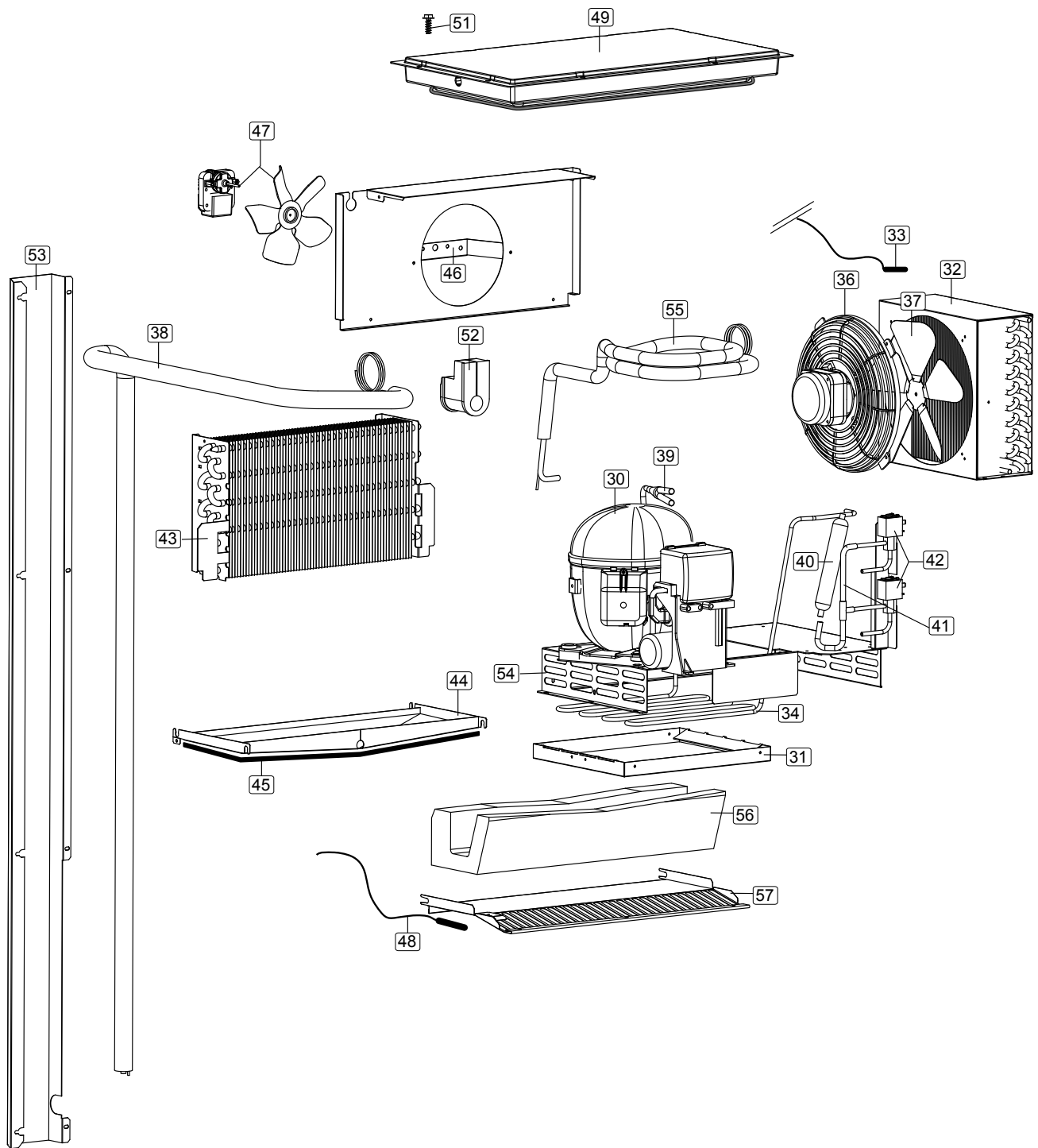
2
3
4
5
6
7-9
...Bold= last change/Grassetto =ultima modifica

Rev. 4

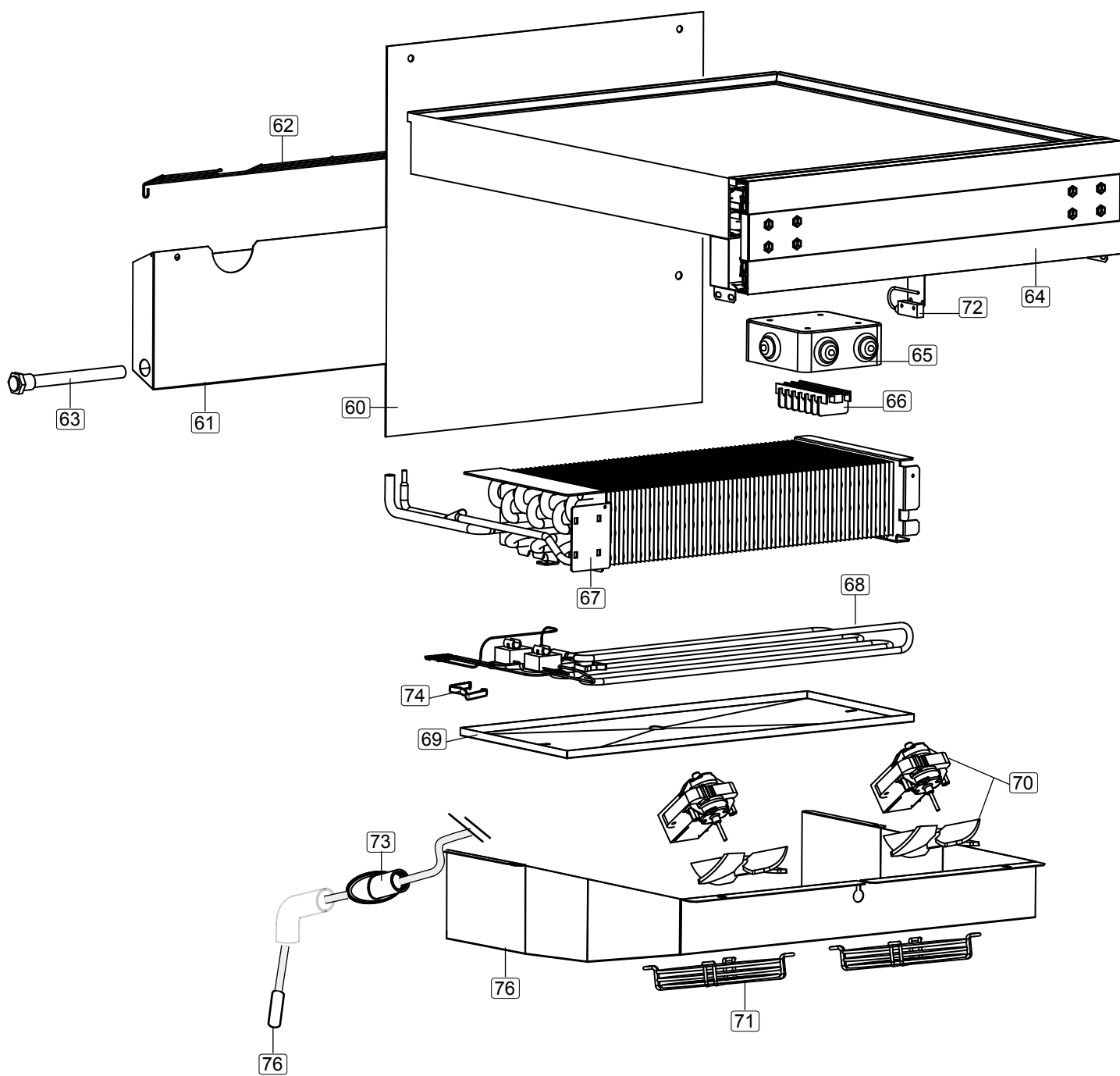
From Ser. Nr... Up to Ser. Nr....	Ed. 2015/09/09 Update 02/2023	Page: 1	Doc No: 560155
--------------------------------------	----------------------------------	---------	-----------------------

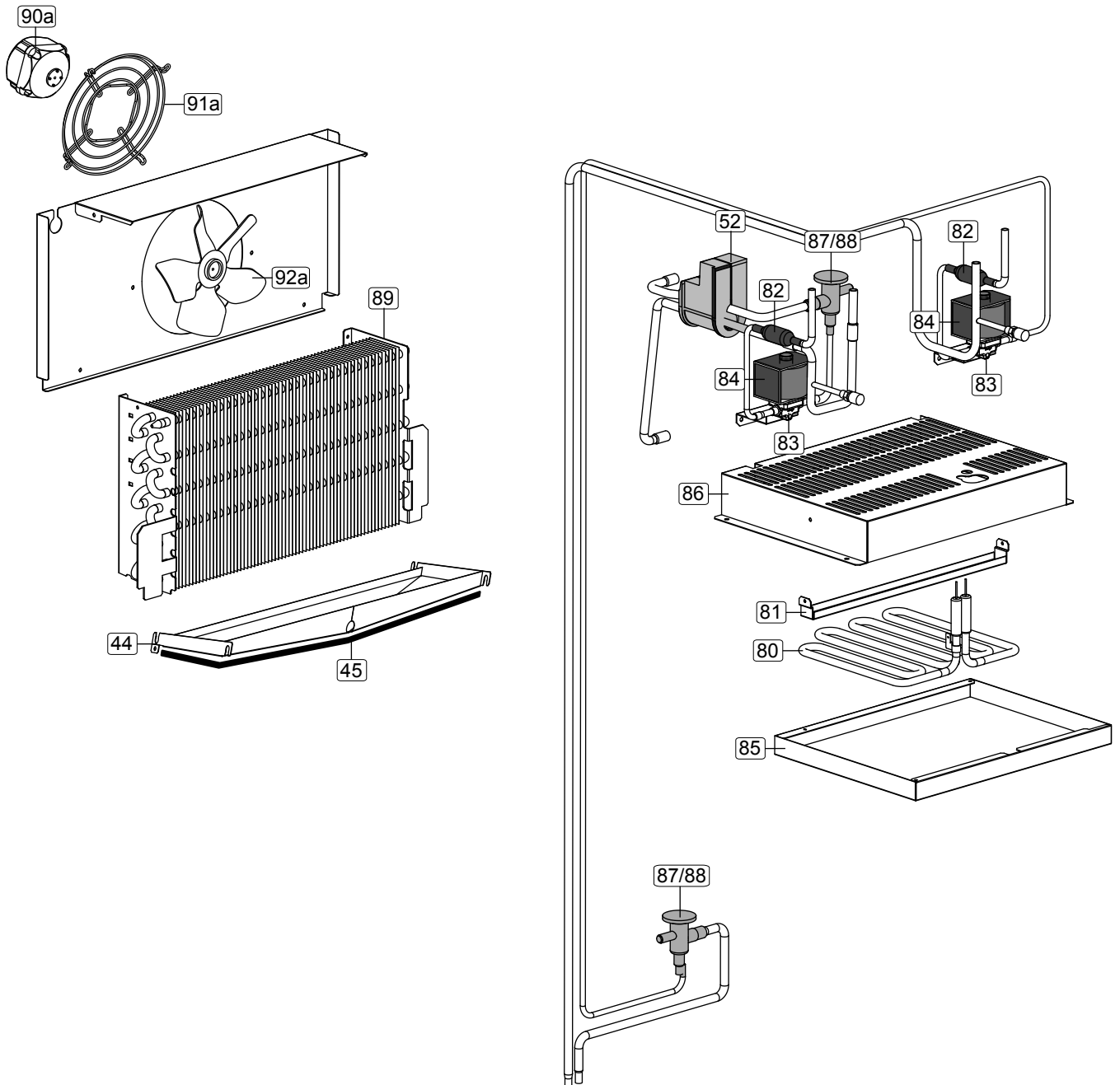


Cooling unit assembly "upper"/Gruppo refrigerante "superiore"

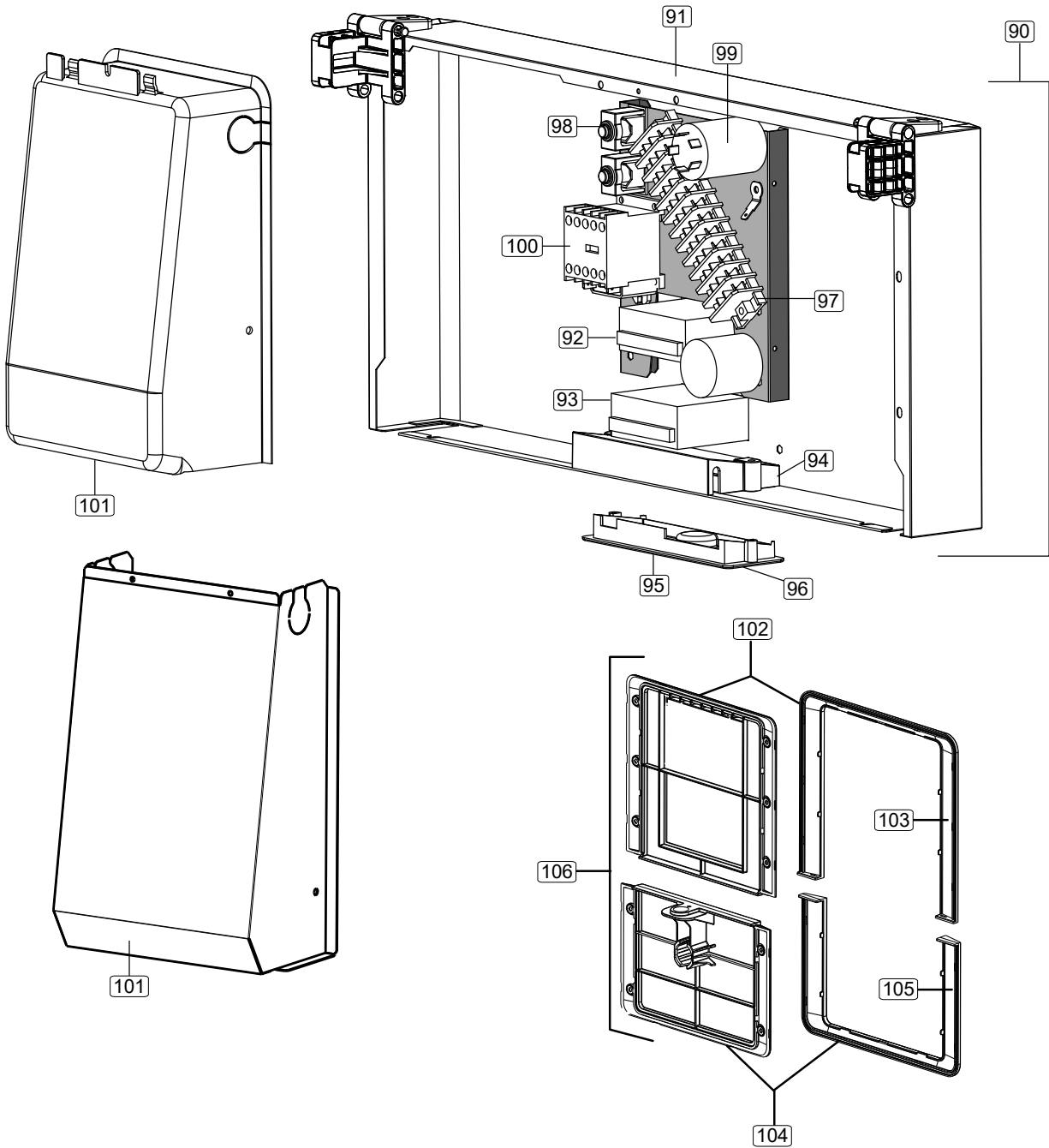


Cooling unit assembly "lower"/Gruppo refrigerante "inferiore"





Control panel/Pannello comandi



PROSTORE CABINETS				DUAL TEMP. 470LT	
Pos	Code	Factory code	Description	Descrizione	Ref/notes
Pag. 2		Cabinets and door		Mobile e porta	
1		0832R15300	Horizontal frame whit magnet	Assieme cornice+ magnete orizzontale	
2		0832R17200	Vertical frame whit magnet	Ass.cornice + magnete verticale	
3	093609	0832R10100	Ass. upper hinge "right"	Ass cerniera dx elesa	
4	093610	0832R10200	Ass. upper hinge "Left"	Ass cerniera sx elesa	
5	093243	0541R05001	Foot	Piedino abs rivestito in inox	
7	094479	0617R09400	Frame heter	Cavo riscaldante	
8	093276	0501R51600	Lower rack	Cremagliera anteriore posteriore	
9	093275	0501R51800	Upper rack	Cremagliera anteriore superiore	
10	094101	0501R91201	Left guide	Guida c sx prostore	
11	094103	0501R91301	Right guide	Guida c dx prostore	
12	094169	0514R15400	Shelf	Griglia rilsan	a,b,c,d,e,k
12	097018	514R21200	Shelf	Griglia rilsan	f,g,h,j,m
13	097756	0835R35105	Ass. upper door	Ass 1/2 porta superiore	
14	096539	0835R35204	Ass. lower door	Ass 1/2 porta inferiore	
15	094156	0548R08700	Gasket upper door	Guarnizione magnetica 1/2 porta superiore	
16	094157	0548R08800	Gasket lower door	Guarnizione magnetica 1/2 porta inferiore	
17	082219	0835704001	Hinge	Cerniera a tuffo	
18	093392	0546R21100	Bush	Boccola per cerniera 1/2 porte	
19	093713	0505R14200	Lower bracket	Staffa inferiore	
20	094182	0505R15902	Upper bracket	Staffa superiore	
21	093344	0505R12400	Central hing door	Staffa centrale	
22	093433	0833R21100	Lock	Serratura L=21 corsa 7,5	
23	093345	0833R20900	Lock	Serratura L=24,5 corsa 8,5	
24	093517	0546R23100	Bush	Boccola sorreggi porta	
25	093271	0541R05301	Lock plug	Tappo fori cerniere	
26					
27					
28					
Pag. 3		Cooling unit		Gruppo refrigerante	
30	094171	0684R09200	Compressor	Compressore NEK2160U CSR	a
30	093426	0684R05900	Compressor	Compressore EMT6152U 230V/50 HZ	b,k
30	094840	0684R11900	Compressor	Compressor NEU2168U EMBRACO	f
31		0833R25301	Tray	Assieme bacinella condensatore	a,b,f,k
32	093333	0830R04900	Condenser	Condensatore alettato 4R-11T-UL+CSA	a,f
32	093346	0830R06501	Condenser	Condensatore fili 4R diam. 4.76	b,k
33	092360	0646R09400	Probe	Sonda (NTC a bracciale 2mt)	a,b,f,k
34	096510	0515R23300	Hot pipe	Serpentino gas caldo	a,f
34	094837	0515R23200	Hot pipe	Serpentina gas caldo	b,k
35	094477	0682R08600	Motor fan	Ventilatore ebm condensatore	a,b,k
35	096482	0682R12700	Motor fan	Ventilatore ebm condensatore	f
36	089755	0546709500	Protection fan	Griglia supp. moteventilatore dia.230	a,b,f,k
37	093365	0511R01000	Condenser fan 230-34	Ventola aspirante 230-34 condens..	a,b,f,k
38	094491	0858R13901	Heater exchanger	Ass. scambiatore piegato	a,b,f,k
39		0515R19501	Junction pipe	Giunzioni per tubi scambiatore	a,b,f,k
40	0A9410	0805734802	Gas filter	H22 filter gr.40 2 vie	a,b,f,k
41	097130	0515R13802	Junction pipe for solenoid valve	Raccordo solenoidi 2T	a,b,f,k
42	094435	0646R10502	Coil	Elettrovalvola 6W 220/230V	a,b,f,k

PROSTORE CABINETS			DUAL TEMP. 470LT		
Pos	Code	Factory code	Description	Descrizione	Ref/notes
43	094204	0832R17100	Evaporator	Assieme evaporatore 2R	a,b,f,k
44	094375	0833R25201	Tray	Ass. bacinella saldata evaporatore	
45	094374	0548R09200	Insulation tray	Isolante bacinella evaporatore BT	
46	093326	0502R52400	Motor fan support	Staffa per motore	a,b,f,k
47	093777	0682R06601	Motor fan	Motore C12 -30/+50°C	a,b,k
47	097000	0682R2C01	Motor fan	Motore C12 -30/+50°C	f
48	092173	0646R06700	Probe	A443 sonda 6x20 blu 'cell' L=1500	
49		0541R07200	Evaporator cover	Chiusura evaporatore	
50	088499	0569703700	Evaporator cover gasket	B25 guarniz.x pannello schiumato	
51	093245	217555204	Screw	Vite AF senza punta	
52	094119	0546R30100	Insulation pipe and wiring	Tamponcino uscita tubi/cavi	
53		0502R59502	Back cover	Copertura posteriore	
54		0501R89902	Cooling bottom	Basamento gruppo	
55	094490	0858R13600	Heater exchanger	Assieme scambiatore piegato	
56		0555R07400	Upper insulation	Coibentazione prostore 600 2013	
57		0501R90401	Internal panel	A752 carter interno	
58					
Page 4		Lower cooling unit		Pannello di controllo	
60		0547R17601	Back protection	Lastra bacinella posteriore	
61		0502R32701	Tray	Bacinella PTC prostore 2T	
62		0514R18701	Protection PTC	Griglia protezione PTC prostore 2T	
63	083814	0617R03800	PTC	Cartuccia autoregolante PTC	
64		0543R13300	Horizontal frame (central support)	A522 cornice orizzontale traversa	
65	093593	0639R11600	Electrical box	Cassetta (100x100x50)	
66	0A9312	0639712400	Clamp	Morsettiera PA32/1534	
67	094499	0830R09301	Lower evaporator	Evaporatore vano inferiore	a,b,f,k
67	094618	0830R10500	Lower evaporator	Evaporatore 3R vano inferiore dual rem	c,d,e,f,g,h,j,m
68		0617R11301	Heater	Ass. resistenza corazzata dual	a,c,e,f,g,m
69		0502R39601	Tray	Bacinella evaporatore diamantata	a,c,e,f,g,m
70	093872	0682R07401	Lower motor fan	Ventilatore inferiore	a,b,c,d,e,k
70	097047	0682R08000	Lower motor fan	Ventilatore inferiore	f,g,h,j,m
71	094493	0514R17701	Protection lower motor fan	Griglia protezione ventilatore	
72	092319	0640R01402	Switch door	Microinterruttore	
73	091652	0544R02501	Discharge water pipe	Tubo scarico acqua stampato	
74	093487	0514R11601	Retaining thermostat spring	Molla fissaggio termostato	a,c,e,f,g,m
75	092183	0646R07800	Probe	Sonda 6x40 verde	
76		0833R25301	Tray	Ass. bacinella saldata condens	
77	094501	0617R11500	Wiring heater	Q59 resistenza scarico H2O vano BT	a,c,e,f,g,m
78					
Page 5		Remote cooling unit		Pannello di controllo	
80	094143	0617R09800	Heater	Resistenza evaporazione remoti	c,d,e,g,h,j,m
81		0502R22500	Retaining heater	Cavallotto fissaggio resistenza	c,d,e,g,h,j,m
82	090229	0525719000	Gas filter	Filtro meccanico a retina d6.2	c,d,e,g,h,j,m
83	090230	0646742400	Body solenoid valve	Elettrovalvola 032F7261 EVR3	c,d,e
83	094435	0646R10502	Body solenoid valve	Elettrovalvola PARKER WB4,5	g,h,m
84	088351	0646749000	Coil	Bobina clip 10W EVR6 220-230/50-60	c,d,e,g,h,j,m
85	099818	0510719701	Tray	Bacinella per new prostore LG.600	c,d,e,g,h,j,m
86		0501R97401	Protection heater	Copertura bacinella 600 remoto	c,d,e,g,h,j,m
87	088501	0646751900	Thermostatic valve	Valvola R404A ugello 1	c,d,g,h,k,m
87	095674	0646R16000	Thermostatic valve R407C/R449A	Valvola R407C/R449A	e,m
From Ser. Nr.... Up to Ser. Nr....			Ed. 2015/09/09 Update 02/2023	Page: 8	Doc No: 560155

PROSTORE CABINETS				DUAL TEMP. 470LT	
Pos	Code	Factory code	Description	Descrizione	Ref/notes
87	087333	646740901	Thermostatic valve R134A	Valvola R134A	j,k
88	089614	0565717600	Insulation thermostatic valve	Isolante per valvola termostatica	c,d,e,g,h,j,m
89	094186	0832R16901	Evaporator	Ass.evaporatore 2R remoto	c,d,e,g,h,j,m
90a	093334	0682R05300	Motor fan	Motore VN 10-20	c,d,e
90a	096995	0682R14200	Motor fan	Motore VNT 11-20	g,h,j,m
91a	089770	0546709600	Protection fan	Griglia supporto motoventilatore d.200	c,d,e,g,h,j,m
92a	093783	0511R01200	Fan	Ventola aspirante all. 200x28	c,d,e,g,h,j,m
Page 6			Control panel	Pannello di controllo	
90		0881R15901	Control panel complete	Modulo pannello comandi	a
90		0881R15801	Control panel complete	Modulo pannello comandi	b,k
90		0881R23402	Control panel complete	Modulo pannello comandi	c,d,e
90		0883R47501	Control panel complete	Modulo pannello comandi	f
90		0883R47600	Control panel complete	Modulo pannello comandi	g,h,j,m
91	094348	0501R91801	Panel	Cruscotto	
92	093437	0646R10602	Controller	Termoregolatore	
93	093439	0646R11401	Slave controller	Termoregolatore slave	a,b,f,k
93	093437	0646R10602	Controller	Termoregolatore	c,d,e,g,h,j,m
94	093387	0546R19600	Cover led light support	Coperchio supporto scheda led	
95	093810	0855R12701	Ass. led light support	Assieme scheda led + supporto	
96	093390	0569R05900	Gasket led light support	Guarnizione supporto scheda	
97	093599	0639R10000	Clamp	Morsettiera PG10-12/LOP-XHP-3CC	
98	094127	0639700500	Stopper wiring	Fermacavo carpaneto	
99	092257	0694R00501	RFI	Filtro antidisturbo	a,f
99	096636	0694R00502	RFI	Filtro antidisturbo	b,c,d,e,g,h,j,k,m
100	093848	0648R06300	Relay	Rele' 66.82.8.230.0001	a,f
101	095867	546R30800	Copertura termoregolatore	Back protection for control panel	a,b,c,d,e,k
101	097016	504R26100	Copertura termoregolatore	Back protection for control panel	f,g,h,j,m
102		0855R11400	Ass. template (control)	Ass. mascherina cruscotto ELUX 2T	a,c,e,f,g,m
102		0855R12300	Ass. template (control)	Ass. mascherina cruscotto ELUX 2T	b,d,h,j,k
103		0546R20000	Frame template (panel)	Cornice pannello cruscotto cromata	
104	094211	0855R10500	Ass.template (door)	Assieme mascherina porta ELUX TN/BT	
105		0546R20200	Frame template (door)	Cornice pannello porta cromata	
106	093596	0855R11701	Ass. template door and control panel	Mascherina cruscotto + porta ELUX 2T	a,c,e,f,g,m
106	094211	0855R12001	Ass. template door and control panel	Mascherina cruscotto + porta ELUX 2T	b,d,h,j,k
107					